

**Thermoregulator**

1M - full door

# CABINETS GAB MASS

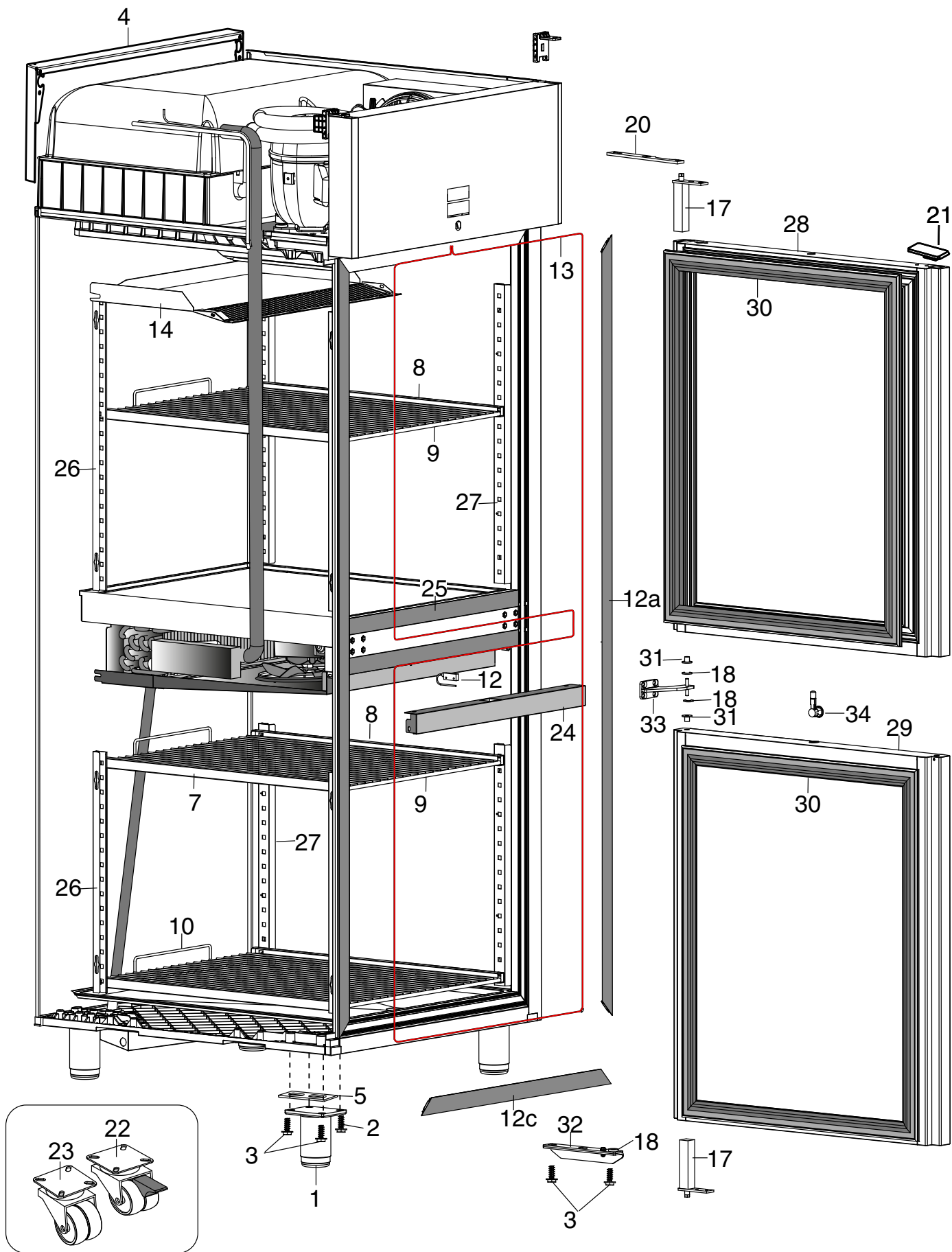
## Dual temperature R290

PNC	MODEL	REF	PAGE	DESCRIPTION	NOTE/ BRAND
110359	ZRX72HDRCG	e	2,3,4,7,8	2x½-DR DUAL REFR. 670L 0/0°C,DIG(R290)UK	Zanussi
110360	ZRX72HDDCG	f	2,5,6,7,8	2x½DR DUAL REFR. 670L 0/-22,DIG(R290)UK	Zanussi
110371	ZR472HDFCG	g	2,5,6,7,8	2x½DUAL REFR 670L 0-22°C,DIG,S/S(R290)UK	Zanussi
110567	ZRX72HDDC	p	2,5,6,7,8	2x½DOOR DUAL REFR. 670L -2/-22°C, DIGITAL (R290)	Zanussi
110799	ZRX72HDR	j	2,3,4,7,8	2x½-DOOR DUAL REFRIG 670L -2/-2°C, DIGIT (R290)	Zanussi
<b>110936</b>	<b>ZR472HDFCG</b>	<b>g</b>	<b>2,5,6,7,8</b>	<b>2x½-DOOR DUAL REFRIGERATOR/FREEZER+WHEELS 670L 0-22°C, DIGITAL, S/S, R290 - UK</b>	<b>Zanussi</b>
<b>110951</b>	<b>ZRX72HDDC</b>	<b>p</b>	<b>2,5,6,7,8</b>	<b>2x½-DOOR DUAL REFRIGERATOR/FREEZER 670L -2-22°C, DIGITAL, A304 - R290</b>	<b>Zanussi</b>
<b>110956</b>	<b>ZRX72HDR</b>	<b>j</b>	<b>2,3,4,7,8</b>	<b>2x½-DOOR DUAL REFRIGERATOR 670L -2-2°C, DIGITAL, A304 - R290</b>	<b>Zanussi</b>
<b>725290</b>	<b>RE472HDFCG</b>	<b>c</b>	<b>2,5,6,7,8</b>	<b>2x½-DOOR DUAL REFRIGERATOR/FREEZER 670L 0-22°C, DIGITAL, S/S, R290-UK</b>	<b>EPR</b>
<b>725326</b>	<b>MCDM670FP2</b>	<b>d</b>	<b>2,5,6,7,8</b>	<b>2x½DUAL REF.670L -2/-22,DIG+WHL(R290)MCD</b>	<b>EPR</b>
<b>725355</b>	<b>ERX72HDDC</b>	<b>p</b>	<b>2,5,6,7,8</b>	<b>2x½-DOOR DUAL REFRIGERATOR/FREEZER 670L -2-22°C, DIGITAL, A304 - R290</b>	<b>EPR</b>
<b>725361</b>	<b>REX72HDR</b>	<b>k</b>	<b>2,3,4,7,8</b>	<b>2x½-DOOR DUAL REFRIGERATOR 670L -2-2°C, DIGITAL, A304-R290</b>	<b>EPR</b>
727398	REX72HDRCG	a	2,3,4,7,8	2x½-DR DUAL REFR. 670L 0/0°C,DIG(R290)UK	EPR
727399	REX72HDDCG	b	2,5,6,7,8	2x½DR DUAL REFR. 670L 0/-22,DIG(R290)UK	EPR
727410	RE472HDFCG	c	2,5,6,7,8	2x½DUAL REFR 670L 0-22°C,DIG,S/S(R290)UK	EPR
727470	MCDM670FP2	d	2,5,6,7,8	2x½DUAL REF.670L -2/-22,DIG+WHL(R290)MCD	EPR
727780	ERX72HDDC	p	2,5,6,7,8	2x½-DOOR DUAL REFRIG. 670L -2-22°C, DIGIT-R290	EPR
727828	REX72HDR	k	2,3,4,7,8	2x½-DOOR DUAL REFRIG 670L -2-2°C, DIGIT-R290	EPR
729100	ARX72HDRCG	h	2,3,4,7,8	2x½-DR DUAL REFR. 670L 0/0°C,DIG(R290)UK	Alpen
729101	ARX72HDDCG	i	2,5,6,7,8	2x½DR DUAL REFR. 670L 0/-22,DIG(R290)UK	Alpen
729112	AR472HDFCG	l	2,5,6,7,8	2x½DUAL REFR 670L 0-22°C,DIG,S/S(R290)UK	Alpen
729319	NRX72HDDCG	m	2,5,6,7,8	2x½DR DUAL REFR. 670L 0/-22,DIG(R290)UK	To brand
729329	BR472HDFCG	n	2,5,6,7,8	2x½DUAL REFR 670L 0-22°C,DIG,S/S(R290)UK	To brand
729454	ARX72HDDC	p	2,5,6,7,8	2½ DOOR REFRIGERATION DUAL-670L R290 -2/+10;-15/-22°C DIG. A304	Alpen
729558	AR72HDR	o	2,3,4,7,8	2x½-DOOR DUAL REFRIG 670L -2°-2°C, DIGITAL-R290	Alpen
<b>729645</b>	<b>AR472HDFCG</b>	<b>l</b>	<b>2,5,6,7,8</b>	<b>2x½-DOOR DUAL REFRIGERATOR/FREEZER+WHEELS 670L 0-22°C, DIGITAL, S/S, R290 - UK</b>	<b>Alpen</b>
<b>729661</b>	<b>ARX72HDDC</b>	<b>p</b>	<b>2,5,6,7,8</b>	<b>2x½-DOOR DUAL REFRIGERATOR/FREEZER 670L -2-22°C, DIGITAL, A304 - R290</b>	<b>Alpen</b>
<b>729674</b>	<b>AR72HDR</b>	<b>o</b>	<b>2,3,4,7,8</b>	<b>2x½-DOOR DUAL REFRIGERATOR 670L -2-2°C, DIGITAL, A304 - R290</b>	<b>Alpen</b>

**Note:** per la corretta identificazione dei componenti, attenersi esclusivamente alle pagine indicate e alla lettera di riferimento.

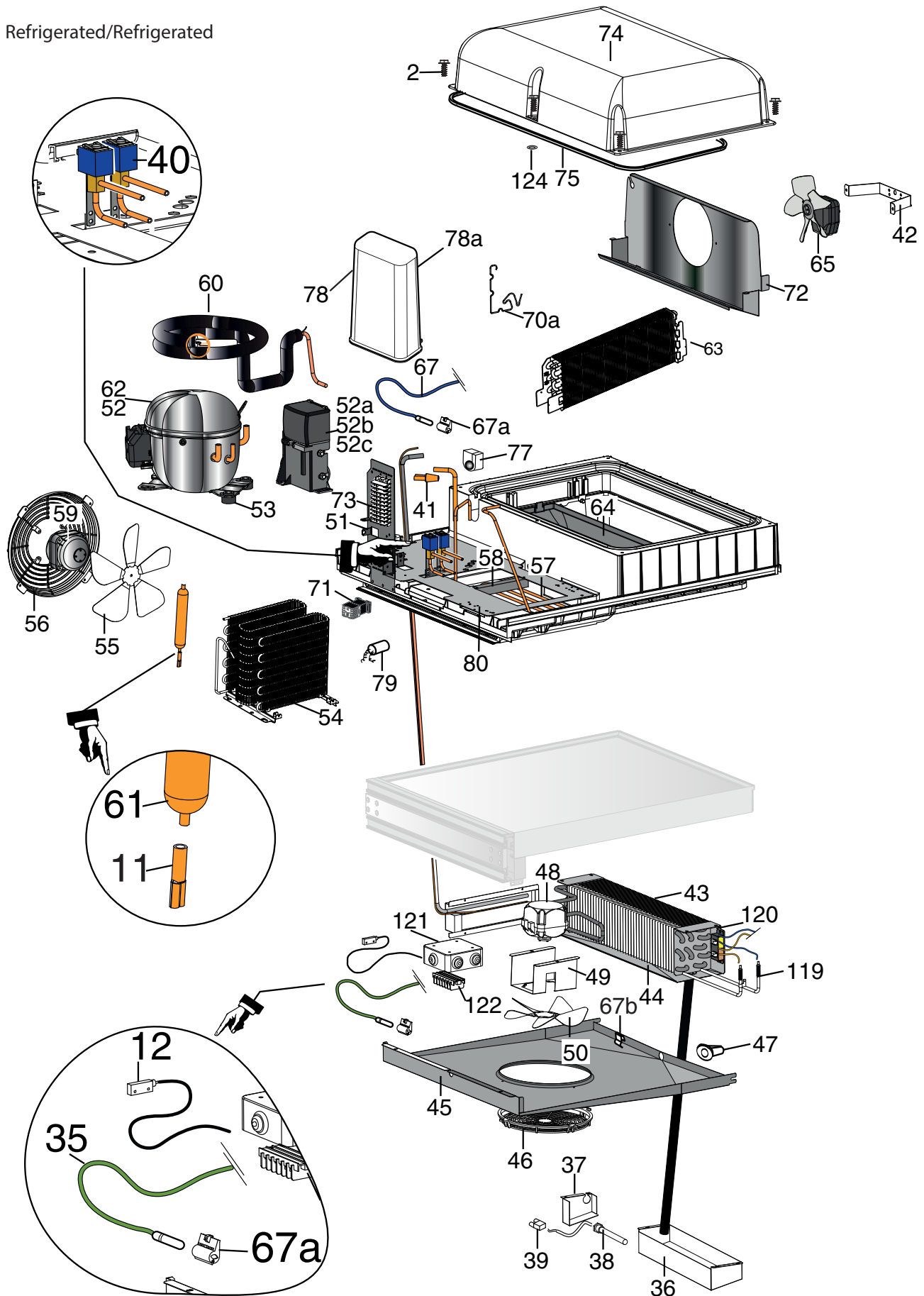
**Note:** for the correct identification of the components, follow the indicated pages and the reference letter

Pag.	2	<b>Index</b>	<b>Indice</b>
	3-6	Cabinet and door	Armadio e porta
	7-8-9	Cooling unit assembly	Gruppo refrigerante
	10-14	Control panel	Pannello comandi
Rev 8		Spare parts list	Lista ricambi



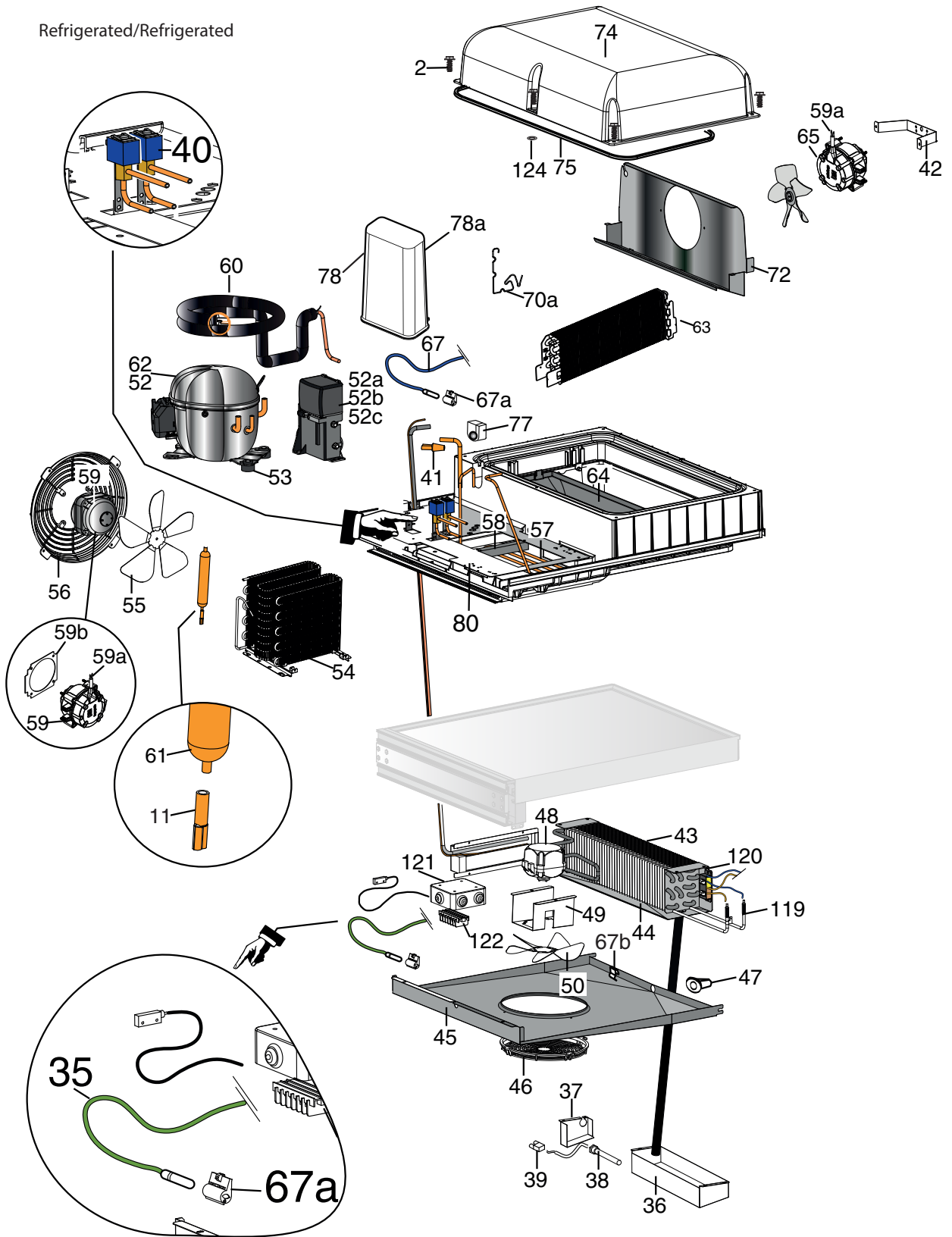
# COOLING UNIT Refrigerated/Refrigerated up to 2021/37

Refrigerated/Refrigerated



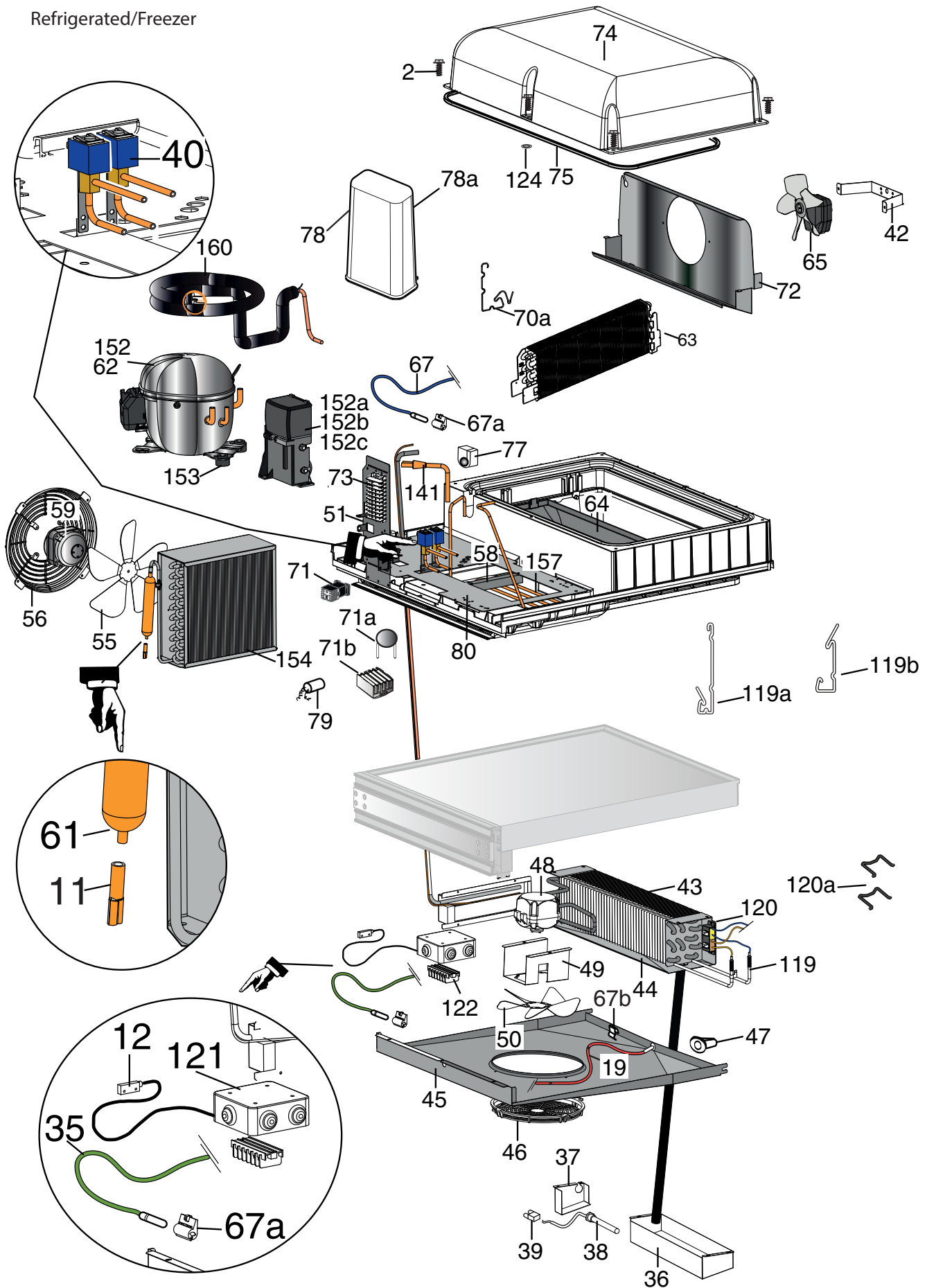
# COOLING UNIT Refrigerated/Refrigerated from 2021/38

Refrigerated/Refrigerated



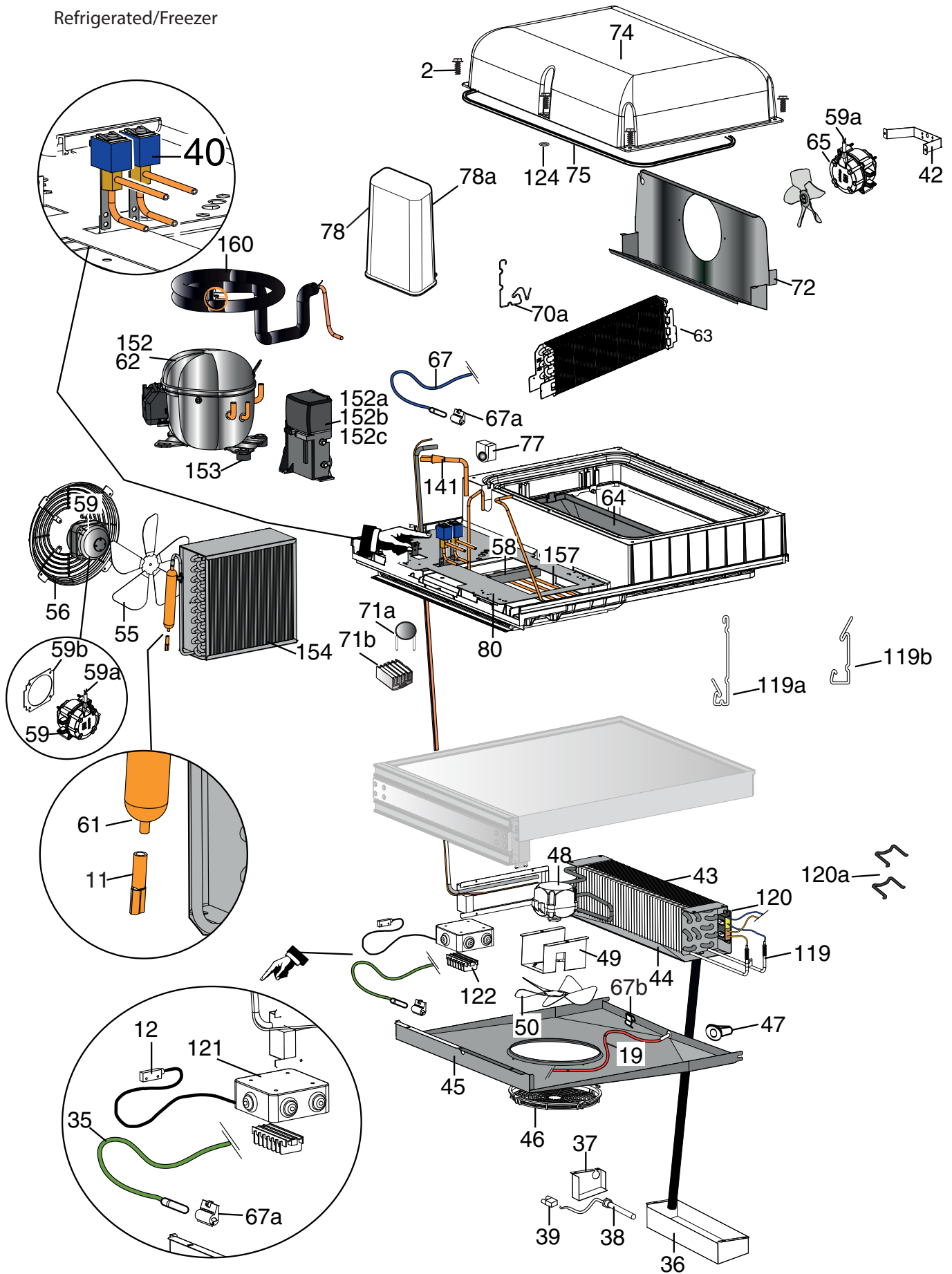
# COOLING UNIT Refrigerated/Freezer up to 2021/37

Refrigerated/Freezer

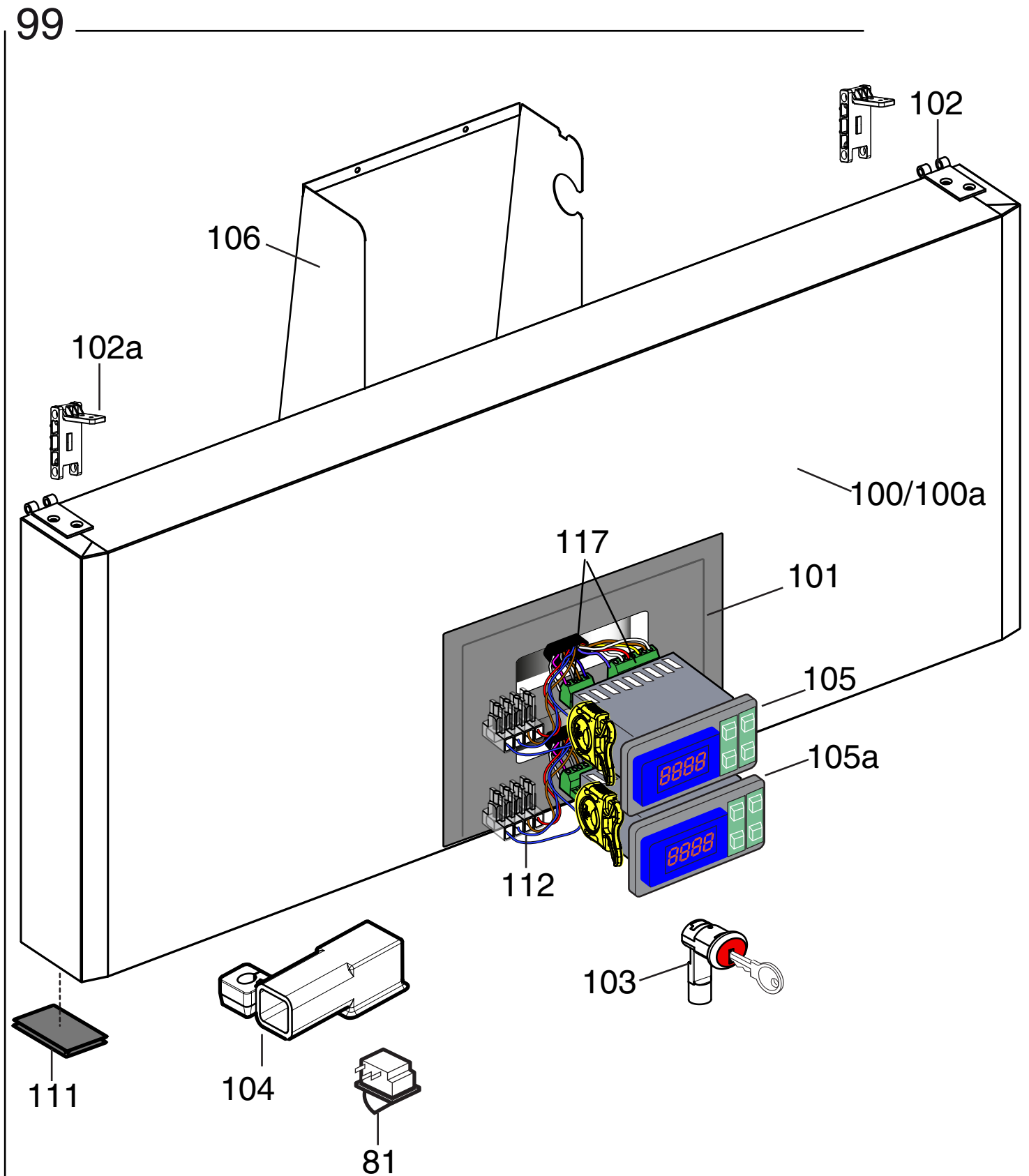


# COOLING UNIT Refrigerated/Freezer from 2021/38

Refrigerated/Freezer

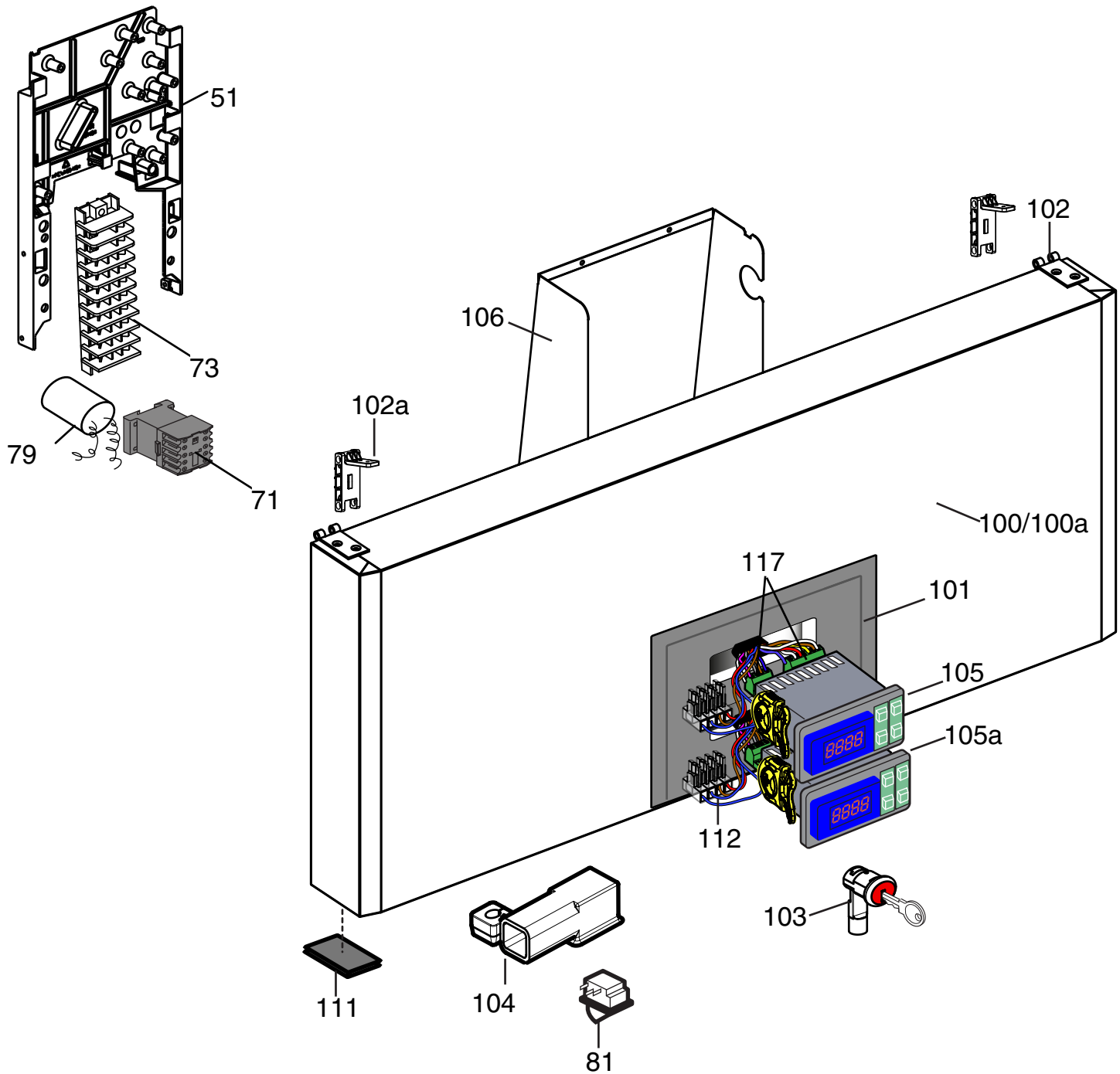


# CONTROL PANEL up to 2021/37



# CONTROL PANEL from 2021/38 up to 2023/11

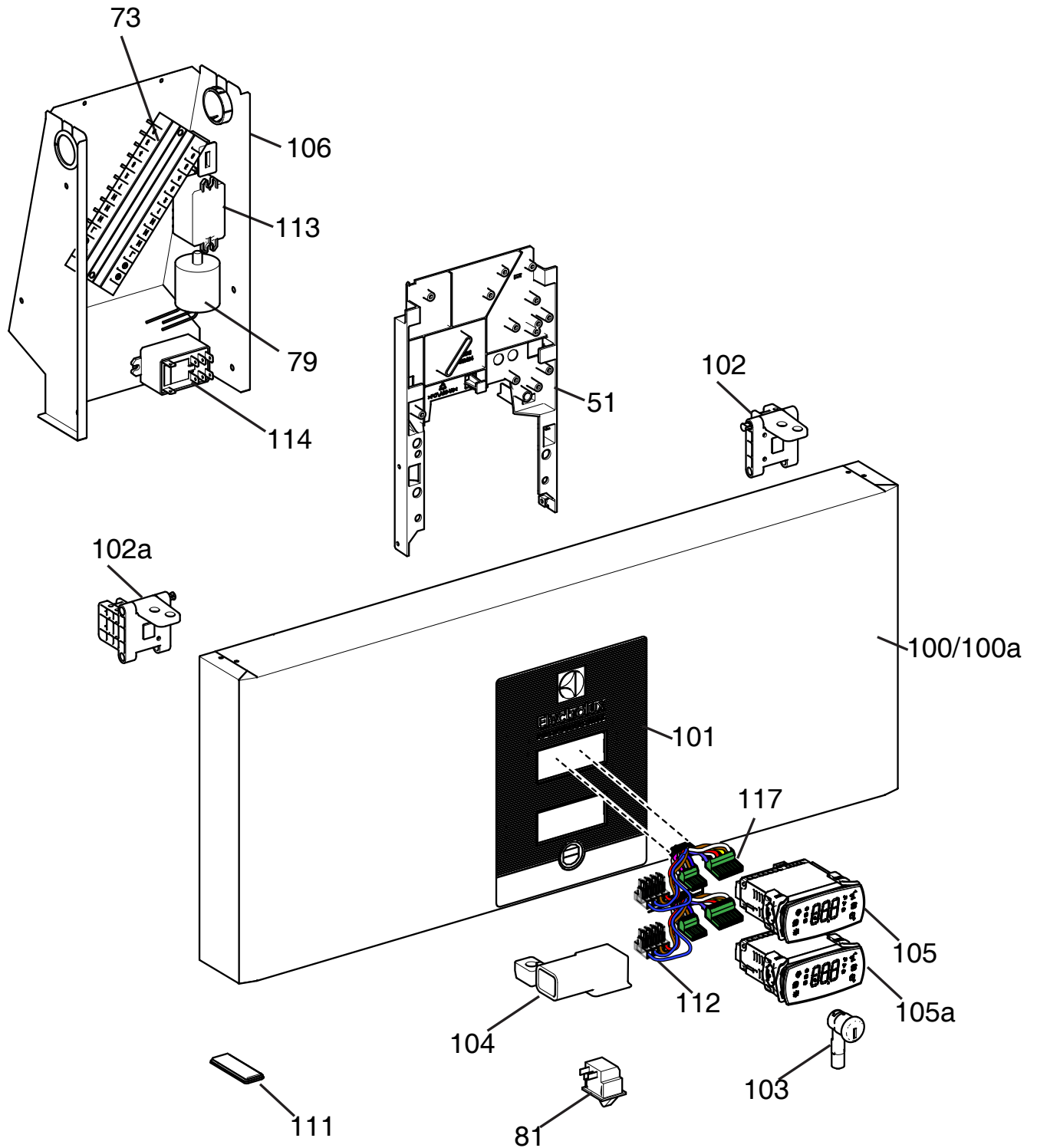
99





# CONTROL PANEL from 2023/12

99



<b>Pos</b>	<b>Spare parts code</b>	<b>Factory code</b>	<b>Descrizione</b>	<b>Description</b>	<b>Ref - Note</b>
1	093243	541R05001	Piedino	Foot	
2	093245	217555204	Vite per plastica per piedino	Screw ( use by fix foot)	
3	093246	518708601	Vite M8x20 per fiss. staffa sup/inf	Screw M8X20 ( use by fix bracket)	
4	093247	502R17400	Staffa supporto fianchi	Side support	
5	093248	546R22800	Distanziale per piede	Foot spacer	
7	093250	501R47900	Guida Sx A430	Left support	
8	093251	501R48100	Guida Dx A430	Right support	
9	093252	514R10600	Griglia 2/1 rilsan	Grid 2/1rilsan	
10	093253	514R12200	Griglia di fondo rilsan	Bottom grid rilsan	
11	097130	515R13802	Raccordo per capillare	Joint capillary	
12	097290	640R04601	Micro porta inferiore	Lower door swicth	
12a	093254	832R09001	Cornice orizzontale	Horizontal frame	
12c	093256	832R09300	Cornice verticale 1/2 porte	Vertical frame 1/2 doors	
13	093331	617R07501	Cavo riscaldante cornice 28,35 W	Heating cable frame 28,35 W	b,c,d up to 2021/37
13	097285	617R07502	Cavo riscaldante cornice 28,35 W	Heating cable frame 28,35 W	b,c,d,g,l,n,p, q,r,t,u,w from 2021/38
13	093362	617R07301	Cavo riscaldante	Heating cable	j,k,o up to 2021/37
13		617R07302	Cavo riscaldante	Heating cable	j,k,o,s,v,x from 2021/38
14		875R37401	Assieme carter interno	Internal protection assembly	
17	082219	835704001	Cerniera porta	Hinge door	
18	093517	546R23100	Boccola per porta	Door bush	
19	093534	617R07601	Resistenza scarico condensa	Discharge heating element	b,c,d,t,u
20	082257	505723801	Staffa superiore porta	Upper stirrup door	
21	093271	541R05301	Tappo per cerniere	Hole hinge plug	
22	093575	835R24900	Ruota rotante con freno	Brake weel	
22	087110	835739900	Ruota rotante con freno	Brake weel	d,u
23	093574	835R24800	Ruota rotante	Weel	
23	087111	835740000	Ruota rotante	Weel	d,u
24	093582	501R46702	Protezione evap. vano inferiore	Evaporator lower protection	
25	093272	832R10000	Cornice per traversa	Support half door frame	
26	093276	501R51600	Cremagliera ant./post 1/2 porte	Lower rack 1/2 doors a430	
27	093275	501R51800	Cremagliera ant./post 1/2 porte	Upper rack 1/2 doors a430	
28	093585	835R25410	Ass. 1/2 porta superiore A304	Upper half door A304	a,b,d,p,q,u
28	093586	835R27909	Ass. 1/2 porta superiore A430	Upper half door A430	c,t
29	093519	835R25509	Ass. 1/2 porta inferiore A304	Lower half door A304	a,b,d,p,q,u
29	093520	835R27808	Ass. 1/2 porta inferiore A430	Lower half door A430	c,t
30	094153	548R08100	Guarnizione magnetica 1/2 porte	Half door gasket	
31	093392	546R21100	Boccola per cerniera 1/2 porte	Half door bush	
32	093301	833R21900	Ass. cerniera inferiore	Lower hinge assembly	
33	093344	505R12400	Cerniera centrale	Central hinge door	
34	093433	833R21100	Serratura	Serratura	
35	092183	646R07800	Sonda vano inferiore	Lower probe compartement	
36	093583	501R45802	Bacinella inferiore	Lower evaporator water basin	
37	*	501R58202	Protezione ptc	PTC protection	

<b>Pos</b>	<b>Spare parts code</b>	<b>Factory code</b>	<b>Descrizione</b>	<b>Description</b>	<b>Ref - Note</b>
38	093533	617R06601	Resistenza ptc 120W	PTC 120 W	
39	094750	639R12000	Connettore Maschio 3 vie	Male connector for ptc	
40	093435	646R10501	Elettrovalvola 220/23V 50 /60 hz	Solenoid valve 220/23V 50 /60 hz	Up to 4151
40	094435	646R10502	Elettrovalvola 220/23V 50 /60 hz	Solenoid valve 220/23V 50 /60 hz	From 4161
41	*	515R19501	Giunzione per condensatore	Dual way connection for condenser	
42	093326	501R45101	Staffa ventilatore Mes/FIME	Fan support mes/FIME	
43	095102	830R06102	Evaporatore vano inferiore 4R 5T	Lower evaporator4R 5T	
44	093592	501R45902	Bacinella	Lower basin (evaporator)	
45	093440	833R21303	Bacinella/carter raccolta condensa	Condenser water basin/carter evap.	
46	091602	546R06100	Griglia protezione ventola	Fan protection	
47	091652	544R02501	Tubo di scarico	Discharge pipe	
48	093366	682R05900	Ventilatore EBM	EBM Fan	Up to 5051
48	094477	682R08600	Ventilatore EBM	EBM Fan	From 5061 Up to 1372
48	096482	682R12700	Ventilatore EBM	EBM Fan	From 1382 Up to 2182
48	096995	682R14200	Ventilatore EBM	EBM Fan	From 2192
49	096564	502R17002	Supporto ventilatore	Fan support	Up to 1372
49	097270	504R23100	Supporto ventilatore	Fan support	From 1382
50	089696	511708000	Ventola 200x34	Fan 200x34	
51		502R24300	Supporto impianto elettrico	Electrical wiring support	Up to 1372
51	097284	546R43401	Supporto impianto elettrico	Electrical wiring support	From 1382
52	093426	684R05900	Compressore EMT6152U R290	Compressor EMT6152U R290	
52a	*	*	Relè avviamento	Start relay	
52b	*	*	Protettore	Protector	
52c	*	*	Condensatore di avviamento	Start capacitor	
53	087122	518708401	Fissaggio compressore	Fixing compressor	
54	093431	830R06600	Condensatore 5R D4,76 ( fili)	Condenser 4R D8 (wire)	
55	089697	511708800	Ventola 230-31	Ventola 230-31	
56	089755	546709500	Protezione ventola	Fan protection	
57	093259	515R12700	Serpentina evap. acqua di conden.	Evaporation water pipe	
58	093260	543R09300	Fissaggio serpentina	Stopper pipe	
59	096995	682R14200	Ventilatore condensatore (VNT 11 20)	Condenser fan (VNT 11 20)	
59a	097055	635R37900	Cablaggio ventilatore	Fan wiring	
59b	096660	504R15800	Lamiera protezione ventola	Fan condenser protection	
60	*	858R10500	Scambiatore sup 134A	Heat exchanger (upper) 134A	up to 2431
60	*	858R07301	Scambiatore sup	Heat exchanger (upper)	from 2441
61	0A9410	805734802	Filtro 2 vie	Dehidrator filter	
62	0A8171	A02021800	Valvola per compressore	Compressor valve (charge or disch.)	
63	093323	830R03901	Evaporatore 2R 8T	Evaporator 2R 8T	
64	093469	546R19201	Vaschetta evaporatore	Evaporator tray	
65	097000	682R02C00	Ventilatore evaporatore (FIME)	Evaporator fan (FIME)	
65	093417	682R06100	Ventilatore evaporatore (MES)	Evaporator fan (MES)	d up to 3071
67	092173	646R06700	Sonda cella	Cavity probe	
67a	091061	546R07500	Gabbietta per sonda	Probe protection	
67b	093547	514R12900	Fermo per cavo riscaldante	Stopper/spring for heating cable	

<b>Pos</b>	<b>Spare parts code</b>	<b>Factory code</b>	<b>Descrizione</b>	<b>Description</b>	<b>Ref - Note</b>
70a	093353	514R12000	Molla per fissaggio resistenza	Heating element spring (small) 84 mm	j,k,o,p,q,s,v,x
71	093848	648R06300	Relè finder	Relay finder	
71b	093775	648R05700	Dissipatore OPTO 22	Dissipator OPTO 22	
71a	093776	648R05300	Varistore ELCO VAR285	Electrical heat exchanger	
72	093294	501R44001	Convogliatore evaporatore 1 fori	Evaporator conveyer one hole	
73	093599	639R10000	Morsettiere	Clamp	
74	093261	835R24101	Assieme Calotta	Evaporator cover	Up to 6181
74	095201	835R47601	Assieme Calotta	Evaporator cover	From 6191
*	095200	881R32401	Modulo Calotta TN	Evaporator cover Module TN	
*	095202	546R34400	Staffa per calotta schiumata	Support for foamed Evaporator	
75	093262	14701R003	Neoprene espa. 8x13,3 nero (M4)	Gasket cover ( neoprene 8x13,3)	Up to 6181
77	093263	546R19702	Tamponcino per tubi	Pipe cover insulation	
78	094425	546R26501	Copertura scatola impianto elettrico	Wiring box cover	Up to 2021/37
78a	093976	546R26701	Scatola impianto elettrico	Wiring box	Up to 2021/37
79	096636	694R00502	Filtro antidisturbo	Electrical filter	j,k,o,s,v,x
80	094451	546R26800	Basamento gruppo	Basement	
81	087485	640712100	Micro porta	Door Switch	
99	*	880R70705	Ass.Cruscotto con controllore A430	ASS. Panel with controller A430	c,g,l,n Up to 2021/37
<b>99</b>	*	<b>883R81802</b>	<b>Ass.Cruscotto con controllore A430</b>	<b>ASS. Panel with controller A430</b>	<b>c,g,l,n,r,t,w from 2021/38</b>
99	*	880R58707	Ass.Cruscotto con controllore A304	ASS. Panel with controller A304	a,b,d,e,f, h,i,j,k,m,o,p Up to 2021/37
<b>99</b>	*	<b>883R82202</b>	<b>Ass.Cruscotto con controllore A304</b>	<b>ASS. Panel with controller A304</b>	<b>j,k,o,s,v,x from 2021/38</b>
<b>99</b>	*	<b>883R82502</b>	<b>Ass.Cruscotto con controllore A304</b>	<b>ASS. Panel with controller A304</b>	<b>d,p,q,u from 2021/38</b>
100	*	850R13704	Cruscotto	Panel 430 AISI	c,g,l,n Up to 2021/37
100	*	877R96400	Cruscotto	Panel 430 AISI	c,g,l,n,r,t,w from 2021/38
100	093729	850R11705	Cruscotto	Panel 304 AISI	a,b,d,e,f, h,i,j,k,m,o Up to 2021/37
100		877R96300	Cruscotto	Panel 304 AISI	d,j,k,o,s,u,v, x from 2021/38
100a	*	509R15701	Cruscotto senza componenti	Panel without components	c,g,l,n Up to 2021/37

<b>Pos</b>	<b>Spare parts code</b>	<b>Factory code</b>	<b>Descrizione</b>	<b>Description</b>	<b>Ref - Note</b>
100a	097275	509R24901	Cruscotto senza componenti	Panel without components	c,g,l,n,r,t,w from 2021/38
100a	095493	509R12803	Cruscotto senza componenti	Panel without components	a,b,d,e,f, h,i,j,k,m,o,p Up to 2021/37
100a	097274	509R24801	Cruscotto senza componenti	Panel without components	d,j,k,o,p,q, s,u,v,x from 2021/38
101	093730	755R04002	Membrana adesiva	Stiker	Up to 7381
101	093730	755R04001	Membrana adesiva	Stiker	n
101	095025	598R8190	Membrana adesiva Zanussi	Zanussi sticker	For Zan up to 2021/37
101	095026	598R82001	Membrana adesiva Electrolux	Electrolux sticker	From 7391 for To Brand pro- ducts up to 2021/37
101	095027	598R82100	Membrana adesiva Alpen	Alpen sticker	For Alpen products from 2021/38
101	097057	598R98401	Membrana adesiva Electrolux	Electrolux sticker	For EPR from 2021/38
101	097059	598R98701	Membrana adesiva Zanussi	Zanussi sticker	For ZanProf from 2021/38
102	093609	832R10100	Cerniera per cruscotto dx	Hinge for panel	
102a	093610	832R10200	Cerniera per cruscotto sx	Hinge for panel	
103	093345	833R20900	Serratura	Latch	
<b>104</b>	<b>092353</b>	<b>546R12100</b>	<b>Protezione micro</b>	<b>Swiath protection</b>	<b>Up to 2021/37</b>
<b>105</b>	<b>093434</b>	<b>646R11101</b>	<b>Termoregolatore IR33 main</b>	<b>Thermoregulator IR33 main</b>	j,k,o To be set Up to 2021/42 Order KIT 097739 See TB VTX2023_07
<b>105</b>	<b>093434</b>	<b>646R11101</b>	<b>Termoregolatore IR33 main</b>	<b>Thermoregulator IR33 main</b>	j,k,o To be set From 2021/43 Up to 2023/11 Order KIT 097729 See TB VTX2023_06
<b>105</b>	<b>093434</b>	<b>646R11101</b>	<b>Termoregolatore IR33 main</b>	<b>Thermoregulator IR33 main</b>	e,s,v,x To be set Up to 2023/11 Order KIT 097729 See TB VTX2023_06

<b>Pos</b>	<b>Spare parts code</b>	<b>Factory code</b>	<b>Descrizione</b>	<b>Description</b>	<b>Ref - Note</b>
105	093434	646R11101	Termoregolatore IR33 main	Thermoregulator IR33 main	a,h To be set Up to 2023/11 Order KIT 097739 See TB VTX2023_07
105	093434	646R11101	Termoregolatore IR33 main	Thermoregulator IR33 main	c,d,f,g,i,p To be set Up to 2021/37 Order KIT 097738 See TB VTX2023_07
105	093434	646R11101	Termoregolatore IR33 main	Thermoregulator IR33 main	c,d,f,g,i,p To be set From 2021/38 Up to 2023/11 Order KIT 097728 See TB VTX2023_06
105	093434	646R11101	Termoregolatore IR33 main	Thermoregulator IR33 main	q,r,t,w To be set Up to 2023/11 Order KIT 097728 See TB VTX2023_06
105	093434	646R11101	Termoregolatore IR33 main	Thermoregulator IR33 main	b,i,m,n,p To be set Up to 2023/11 Order KIT 097738 See TB VTX2023_07
105	097579	855R18400	Termoregolatore IJF main	Thermoregulator IJF main	To be set From 2023/12
105a	093438	646R11301	Termoregolatore IR33 slave	Thermoregulator IR33 slave	j,k,o To be set Up to 2021/42 Order KIT 097739 See TB VTX2023_07
105a	093438	646R11301	Termoregolatore IR33 slave	Thermoregulator IR33 slave	j,k,o To be set From 2021/43 Up to 2023/11 Order KIT 097729 See TB VTX2023_06
105a	093438	646R11301	Termoregolatore IR33 slave	Thermoregulator IR33 slave	e,s,v,x To be set Up to 2023/11 Order KIT 097729 See TB VTX2023_06
105a	093438	646R11301	Termoregolatore IR33 slave	Thermoregulator IR33 slave	a,h To be set Up to 2023/11 Order KIT 097739 See TB VTX2023_07

<b>Pos</b>	<b>Spare parts code</b>	<b>Factory code</b>	<b>Descrizione</b>	<b>Description</b>	<b>Ref - Note</b>
105a	093438	646R11301	Termoregolatore IR33 slave	Thermoregulator IR33 slave	c,d,f,g,l,p To be set Up to 2021/37 Order KIT 097738 See TB VTX2023_07
105a	093438	646R11301	Termoregolatore IR33 slave	Thermoregulator IR33 slave	c,d,f,g,l,p To be set From 2021/38 Up to 2023/11 Order KIT 097728 See TB VTX2023_06
105a	093438	646R11301	Termoregolatore IR33 slave	Thermoregulator IR33 slave	q,r,t,w To be set Up to 2023/11 Order KIT 097728 See TB VTX2023_06
105a	093438	646R11301	Termoregolatore IR33 slave	Thermoregulator IR33 slave	b,i,m,n,p To be set Up to 2023/11 Order KIT 097738 See TB VTX2023_07
105a	097579	855R18400	Termoregolatore IJF slave	Thermoregulator IJF slave	To be set From 2023/12
106	093975	546R26600	Protezione	Protection led-lamp	p,q up to 2023/11
106	097576	504R39300	Protezione	Protection	p,q from 2023/12
106	093975	546R26600	Protezione	Protection led-lamp	Up to 2021/43
106	097245	504R35000	Protezione	Protection led-lamp	From 2021/44 Up to 2023/11
106	097576	504R39300	Protezione	Protection	From 2023/12
111	093269	541R05401	Tappo fori cerniere	Plug for hinge	
112	093391	639R10400	Morsetto	Clamp	
113	093848	648R06300	Relè FINDER	Relay FINDER	From 2023/12
114	093848	648R06300	Relè FINDER	Relay FINDER	BT - From 2023/12
117	*	639R06800	Connettore dritto 3 vie	Connector 3 ways right	
117	*	639R06900	Connettore dritto 7 vie	Connector 7 ways right	
117	099740	*	Connettore 90° 7 vie	Connector 7 ways 90°	
117	099741	*	Connettore 90° 5 vie	Connector 5 ways 90°	
117	088998	*	Connettore 90° 3 vie	Connector 3 ways 90°	
117	099743	*	Connettore 90° 3 vie piccolo	Connector 3 ways 90° small	
117	099742	*	Connettore 90° 2 vie	Connector 2 ways 90°	
117	091682	*	Connettore 90° 4 vie	Connector 4 ways 90°	
117	091684	*	Connettore 90° 5 vie	Connector 5 ways 90°	

<b>Pos</b>	<b>Spare parts code</b>	<b>Factory code</b>	<b>Descrizione</b>	<b>Description</b>	<b>Ref - Note</b>
117	097578	639R04V00	<b>Connettore femmina 3 vie</b>	<b>Connector 3 ways female</b>	<b>From 2023/12</b>
*	093180	639R09600	Convertitore spina UK	UK plug converter	
119	093421	617R06502	Resistenza vano inferiore evap.	Heating element lower evaporator	
119	093327	617R06101	Resistenza con termostati	Heating element with thermostat	d,j,k,o up to 2021/37
119	097286	617R25400	Resistenza con termostati	Heating element with thermostat	d,j,k,o,s,u,v,x from 2021/38
119a	093516	514R11200	Molla per fissaggio resistenza	Heating element spring	d,u
119b	093368	514R10801	Molla per fissaggio resistenza	Heating element spring	d,j,k,o,p,q,s,u,v,x
120	*	501R58101	Supporto termostati	Thermostat support	
120a	093487	514R11601	Molla per fissaggio termostati	Thermostat spring	d,j,k,o,p,q,s,u,v,x
121	093593	639R11600	Scatola Gewis	Scatola Gewis	
122	0A9312	639712400	Morsettiera	Clamp	
124	*	546R23900	Rondella	Washer	
141	096648	515R13601	Giunzione per condensatore	Dual way connection for condenser	
152	093422	684R05800	Compressore NT2170U 220-40/50	Compressor NT2170U 220-40/50	Up to 2023/34
<b>152</b>	<b>094840</b>	<b>684R11900</b>	<b>Compressore NEU2168U EMBRACO</b>	<b>Compressor NEU2168U EMBRACO</b>	<b>From 2023/35</b>
152a	092587	*	Relè avviamento	Start relay	
152b	093751	*	Protettore	Protector	
152c	093752	*	Condensatore di avviamento	Start capacitor	
153	099872	541714500	Gommino compressore	Rubber compressor	
154	093333	830R04900	Condensatore alettato 4R 11T	Condenser 4R 11T	
157	096537	515R13200	Serpentina evap. acqua di condensa	Evaporation water pipe	Up to 2023/34
<b>157</b>	<b>095075</b>	<b>515R21201</b>	<b>Serpentina evap. acqua di condensa</b>	<b>Evaporation water pipe</b>	<b>From 2023/35</b>
160	*	858R07301	Scambiatore sup	Heat exchanger (upper)	